



COMMERCIAL PREMIER™

Hot Water Makers®

Application

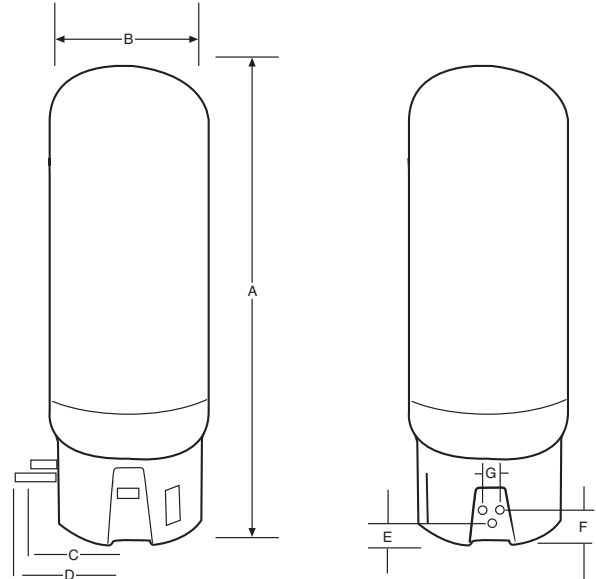
- For use in large residential homes and commercial applications.
- Available with mechanical or electronic controls.

Construction

WH-7		WHS-60, 80, 120	
Description	Standard Construction	Description	Standard Construction
Pressure Shell	Deep Drawn Steel	Pressure Shell	316 L Stainless Steel
Inner Liner	Seamless Polyethylene	Outer Jacket	Polyethylene
Insulation Shell	High Density Urethane	Insulation	CFC-Free Urethane Foam
Heat Exchanger	Finned Copper with Stanoguard Plating	Heat Exchanger	Finned Copper with Stanoguard Plating
Optional Heat Exchanger	Double Wall Tubing	Optional Heat Exchanger	Double Wall Tubing
Temperature Control	Digital: 90-150°F	Temperature Control	Dial Aquastat: 90-180°F

Performance

Model Number	1st Hr Recovery Rating		Continuous Flow Rating		Standby Loss		Boiler Flow Rate Requirements (GPM)	
	Gal	Lit	Gal	Lit	BTU/Hr	°F/Hr	Min	Max
WH-7C	304	1149	268	1013	400	1.2	7	12
WH-7C-DW	304	1149	268	1013	400	1.2	7	12
WHS-60ZC	427	1616	375	1420	200	0.4	7	12
WHS-60ZC-DW	320	1210	268	1013	200	0.4	7	12
WHS-80ZC	445	1685	375	1420	260	0.4	7	12
WHS-80ZC-DW	338	1278	268	1013	260	0.4	7	12
WHS-120ZC	479	1813	375	1420	400	0.4	7	12
WHS-120ZC-DW	372	1406	268	1013	400	0.4	7	12



Rough-In Dimensions (Inches)

Dimension	Description	WH-7C	WHS-60	WHS-80	WHS-120
C	Boiler Supply/Return	11	15½	15½	15½
D	Cold Water In	12¼	13	13	14¼
E	Cold Water In	3⅞	3¾	3¾	3¾
F	Boiler Supply/Return	6¾	7¼	7¼	7¼
G	Boiler Supply/Return	3¾	3¾	3¾	3¾

Warranty: 5 Year

Models

Model Number	Tank Volume		A Tank Height		B Tank Diameter		Domestic Water Connections		Boiler Water Connections		Shipping Weight	
	Gal	Lit	In	mm	In	mm	Inlet	Outlet	Inlet	Outlet	Lbs	Kg
WH-7C	41	155	48	122	22	56	¾" NPTM	¾" NPTF	¾" NPTM	¾" NPTM	141	64
WH-7C-DW	41	155	48	122	22	56	¾" NPTM	¾" NPTF	1" Sweat Union	1" Sweat Union	151	68
WHS-60ZC	60	227	54	137	26	66	1" NPTM	1" NPTF	1" NPTM	1" NPTM	168	76
WHS-60ZC-DW	60	227	54	137	26	66	1" NPTM	1" NPTF	1" Sweat Union	1" Sweat Union	177	80
WHS-80ZC	80	302	66	168	26	66	1" NPTM	1" NPTF	1" NPTM	1" NPTM	178	81
WHS-80ZC-DW	80	302	66	168	26	66	1" NPTM	1" NPTF	1" Sweat Union	1" Sweat Union	187	85
WHS-120ZC	119	450	71	180	29	74	1" NPTM	1" NPTF	1" NPTM	1" NPTM	218	99
WHS-120ZC-DW	119	450	71	180	29	74	1" NPTM	1" NPTF	1" Sweat Union	1" Sweat Union	227	103

All dimensions and weights are approximate.

Job Name _____	Notes _____
Engineer _____	_____
Contractor _____	_____
P.O. No. _____	_____
Sales Rep. _____	_____
Model No. _____	_____

