



# Diatrol Shock Suppressors

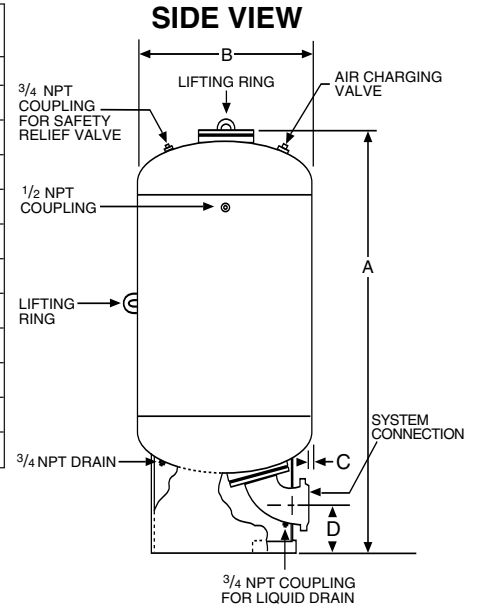
## "D" Series (ASME) For Potable Water Service

250 PSIG Working Pressure

### ASME Models

Model No.	Tank Vol.		A Height		B Diameter		Sys. Conn. ins.	C ins.	D ins.	E ins.	Ship Wt.	
	Lit.	Gal.	mm	ins.	mm	ins.					kg	lbs.
D-7	200	53	1245	48 <sup>7</sup> / <sub>8</sub>	610	24	4	1 <sup>9</sup> / <sub>16</sub>	8 <sup>3</sup> / <sub>16</sub>	28	178	390
D-11	300	80	1600	62 <sup>7</sup> / <sub>8</sub>	610	24	4	1 <sup>9</sup> / <sub>16</sub>	8 <sup>3</sup> / <sub>16</sub>	28	230	505
D-14	400	106	1956	76 <sup>7</sup> / <sub>8</sub>	610	24	4	1 <sup>9</sup> / <sub>16</sub>	8 <sup>3</sup> / <sub>16</sub>	28	282	618
D-18	500	132	2311	90 <sup>7</sup> / <sub>8</sub>	610	24	4	1 <sup>9</sup> / <sub>16</sub>	8 <sup>3</sup> / <sub>16</sub>	28	333	731
D-21	600	158	1893	74 <sup>11</sup> / <sub>16</sub>	762	30	4	1 <sup>3</sup> / <sub>8</sub>	7 <sup>1</sup> / <sub>4</sub>	28	433	950
D-28	800	211	2365	93 <sup>1</sup> / <sub>8</sub>	762	30	4	1 <sup>3</sup> / <sub>8</sub>	7 <sup>1</sup> / <sub>4</sub>	28	513	1125
D-35	1000	264	2086	82 <sup>1</sup> / <sub>8</sub>	914	36	6	3 <sup>1</sup> / <sub>4</sub>	7 <sup>1</sup> / <sub>2</sub>	34	693	1520
D-42	1200	317	2465	94 <sup>1</sup> / <sub>2</sub>	914	36	6	3 <sup>1</sup> / <sub>4</sub>	7 <sup>1</sup> / <sub>2</sub>	34	784	1720
D-50	1400	370	2781	109 <sup>1</sup> / <sub>2</sub>	914	36	6	3 <sup>1</sup> / <sub>4</sub>	7 <sup>1</sup> / <sub>2</sub>	34	866	1900
D-56	1600	422	2178	85 <sup>3</sup> / <sub>4</sub>	1220	48	8	1 <sup>3</sup> / <sub>4</sub>	10 <sup>7</sup> / <sub>8</sub>	46	1049	2300
D-70	2000	528	2528	99 <sup>3</sup> / <sub>8</sub>	1220	48	8	1 <sup>3</sup> / <sub>4</sub>	10 <sup>7</sup> / <sub>8</sub>	46	1231	2700

Note: Allow 18" (460mm) minimum clearance.



### Maximum Operating Conditions

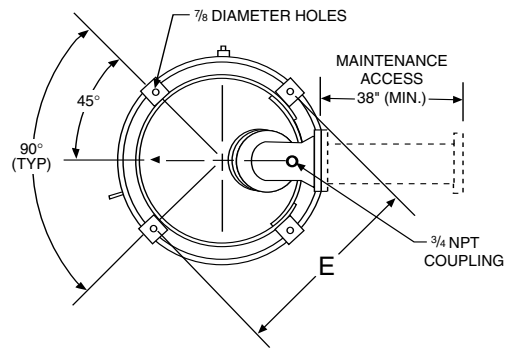
Operating Temperature	240° F (115° C)
Working Pressure	250 PSIG ASME (17.6 bar)

### Specifications

Description	Standard Construction
Shell	Steel
Bladder	Heavy Duty Butyl ANSI/NSF 61
Bladder Thickness	.100 Minimum
System Connection	Steel - 150# ANSI Flange
Coating	Red Oxide Primer
Factory Precharge	40 PSIG (2.8 bar)

Constructed per ASME Code Section VIII, Division 1.

### BOTTOM VIEW



Models D-21 thru D-70

All dimensions and weights are approximate.

Job Name \_\_\_\_\_

Location \_\_\_\_\_

Engineer \_\_\_\_\_

Contractor \_\_\_\_\_

Contractor P.O. No. \_\_\_\_\_

Sales Representative \_\_\_\_\_

Model No. Ordered \_\_\_\_\_

ASME CERTIFICATION REQUIRED  YES  NO